

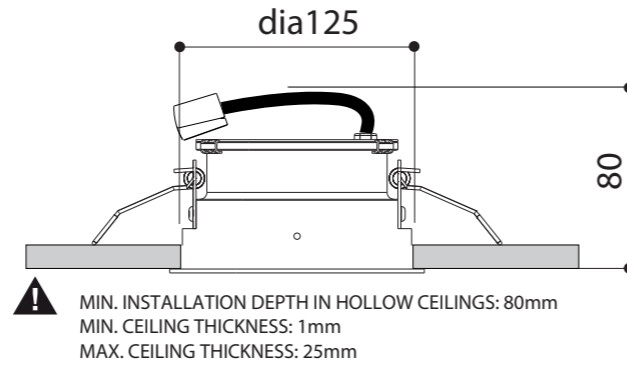
name FUNNEL SFEROS NON TRIMLESS HALOLED

INSTALLATION

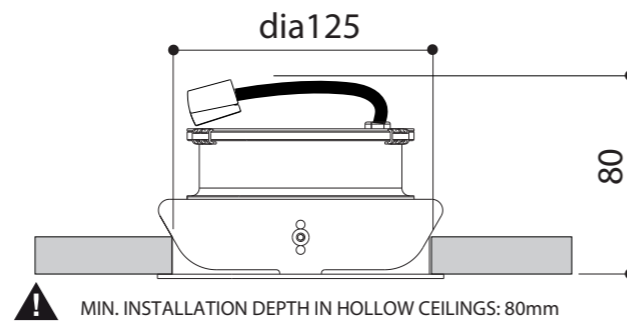
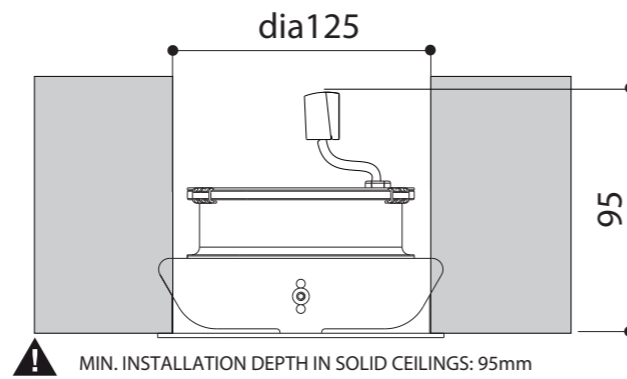
ALL REFS SEE TABLE ON VERSO PAGE

① MAKE HOLE DIA 125mm (all models)

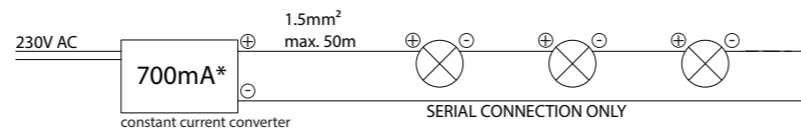
Torsion (only for hollow ceilings) :



Leaf (for all ceiling types) :

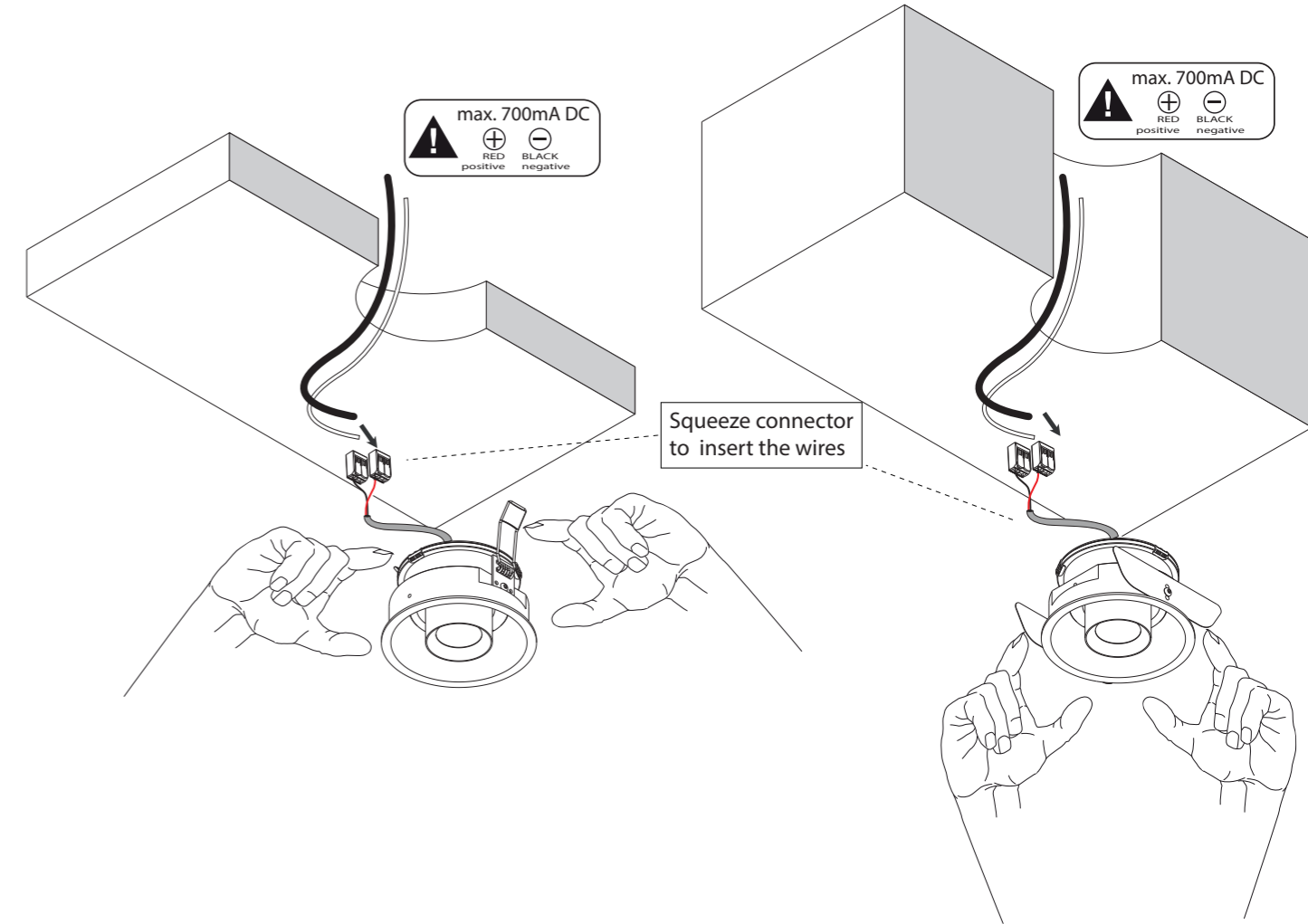


! ALWAYS DISCONNECT MAINS POWER SUPPLY FROM CONVERTER BEFORE SWITCHING "ON" LED LUMINAIRES TO PREVENT HOT PLUGGING ISSUES



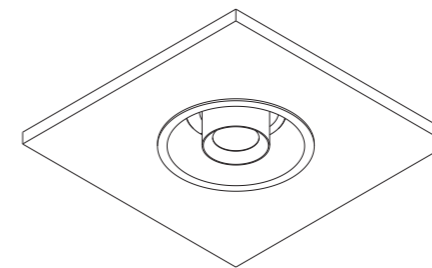
! FOR COMPATIBLE CONVERTERS SEE LEDCONVERTER MATRIX

② MAKE CONNECTION IN TERMINAL BLOCK (MAKE SURE POWER SUPPLY IS SWITCHED OFF)



③ PUSH LUMINAIRE GENTLY INTO HOLE BY DEFORMING 2 TORSION SPRINGS UPWARDS BY HAND

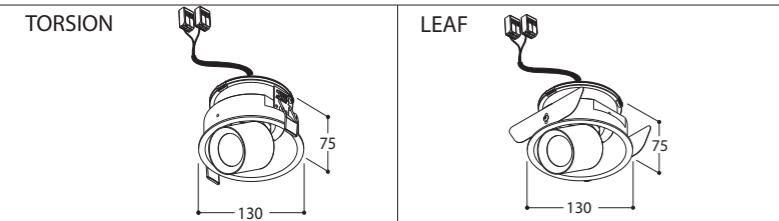
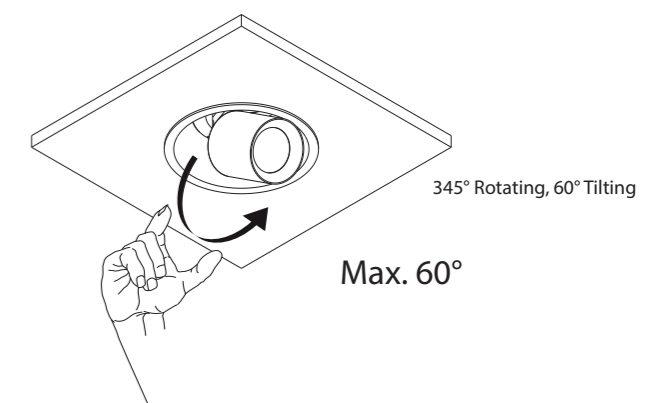
④ SWITCH ON MAINS POWER SUPPLY



Non-replaceable light source

③ PUSH LUMINAIRE GENTLY INTO HOLE BY DEFORMING 2 LEAF SPRINGS INWARDS BY HAND*

⑤ HOLD HOUSING TO ORIENT LEDMODULE



safe distance to object	- 0,1m -
lamp / (lum.flux) / (colortemp)	Haloled 755lm / 2700K Luxeon M 810 lm / 3000K
fitting	None
watt	7,84W
current*	700mA DC (Vf = 11,2V)
symbol	
gear	Converter not incorporated
ip/class	IP20
application	Ceiling mounted
orientability	345° Rotating, 60° Tilting
dimmiability	PWM or CCR dimmable
weight	0,7
beamangle	24°/36°/60°
CRI	90
SDCM	3
ACCESSORY	MX100090: HONEYCOMB (see seperate manual)

INSTALLATIE- EN ONDERHOUDSRICHTLIJNEN m.b.t. FABRIEKSGARANTIE.
1. DE VERBINDINGEN EN HET UITTESTEN VAN DEZE TOESTELLEN DIENEN ALTIJD TE GEBEUREN DOOR EEN ERKENDE ELECTRO-INSTALLATEUR.
2. DEZE VERLICHTINGSTOESTELLEN MOETEN GEïNSTALLEERD, VERBODEN EN GETEST WORDEN VOLGENS DE NATIONAAL GELDENDE REGLEMENTEN OP DE ELECTRICISCHE INSTALLATIES (BELGIË: A.R.E.I., DUITSLAND: DIN VDE 0100 TEIL 559 A2, ...; DEZE OPSOMMING IS LOUWER INFORMATIEF)
3. DE TECHNISCHE BUSLUITER MOET GEZIEN WORDEN ALS ONDERDEEL VAN DE ALGEMENE VERKOOPVOORWAARDEN VAN TAL N.V.
4. DE ELECTRO-INSTALLATEUR IS VERANTWOORDELIJK VOOR HET GEBRUIKEN VAN VOORSCHAKELAPPARATUUR DIE VOLDOET AAN DE GELDENDE CE EN EMC NORMEN.
5. VERVANG DE LAMP (-EN) ALTIJD MET DE GROOTSTE ZORG, ZE IS (ZIJN) UITERST BREEKBAAR.
6. OPGEPAST: PLAATS NOOIT DE LAMP MET BLOTE HANDEN, GEBRUIK ALTIJD EEN DOEK!

INSTRUCTIONS D'INSTALLATION ET D'ENTRETIEN A RESPECTER VIS-A-VIS DE LA GARANTIE.
1. LE PLACEMENT, LE RACCORDEMENT ET L'ESSAI DE CET APPAREIL DOIVENT TOUJOURS ETRE EFFECTUEES PAR UN INSTALLATEUR ELECTRICIEN AGREE.
2. LES LUMINAIRES DOIVENT ETRE INSTALLEZ, BRANCHEZ ET TESTES SUIVANT LE REGLEMENT NATIONAL SUR LES INSTALLATIONS ELECTRIQUES EN VIGUEUR. (BELGIQUE: A.R.E.I., ALLEMAGNE: DIN VDE 0100 TEIL 559 A2, ...; CETTE ENUMERATION EST INDICATIVE)
3. CE MANUEL D'INSTALLATION TECHNIQUE REPRESENTE UNE PARTIE DES CONDITIONS GENERALES DE VENTE DE TAL N.V.
4. L'ELECTRO-INSTALLATEUR EST RESPONSABLE POUR L'USAGE DE BALLASTS, TRANSFO, ...CONFORMES AUX NORMES CE ET EMC EN VIGUEUR.
5. REMPLACEZ TOUJOURS L'AMPOULE (LES AMPOULES) AVEC PRUDENCE; ELLE(-S) EST (SONT) TRES FRAGILE (-S).
6. ATTENTION: NE JAMAIS REMPLACER L'AMPOULE AUX MAINS NUES, UTILISEZ TOUJOURS UN CHIFFON!

INSTALLATION AND MAINTENANCE INSTRUCTIONS IN VIEW OF THE MANUFACTURER'S GUARANTEE.
1. THE CONNECTION AND TESTING OF THE DEVICES SHOULD ALWAYS BE PERFORMED BY A RECOGNIZED ELECTRICIAN.
2. THESE LIGHTING DEVICES NEED TO BE INSTALLED, CONNECTED AND TESTED FOLLOWING THE OFFICIAL NATIONAL INSTRUCTION GUIDE FOR ELECTRICAL INSTALLATIONS (BELGIUM: A.R.E.I., GERMANY: DIN VDE 0100 TEIL 559 A2, ...; THIS ENUMERATION IS JUST AN INDICATION)
3. THIS TECHNICAL ENCLOSURE NEEDS TO BE ADDED TO THE GENERAL SALES CONDITION OF THE TAL N.V.
4. THE ELECTRO TECHNICIAN IS RESPONSABLE TO USE BALLASTS, TRANSFORMERS...WHICH MEET THE VALID CE AND EMC RULES.
5. ALWAYS REPLACE THE LAMP (-S) WITH UTMOST CAUTIOUSNESS, THE LAMP (-S) IS (ARE) VERY FRAGILE.
6. ATTENTION: NEVER REPLACE THE LAMP WITH BARE HANDS, ALWAYS USE A CLOTH!

MONTAGE- UN UNTERHALT INSTRUCTIONS ZU BEACHTEN MIT BEZUG AUF DER GARANTIE.
1. DIE MONTAGE, DER ANSCHLUSS UND DAS AUSTESTEN DER LEUCHTEN SOLL IMMER VON EINEM ZUSTANDIGEN ELECTRO-INSTALLATEUR AUSGEFUHRT WERDEN.
2. DIESE LEUCHTEN MUSSEN INSTALLIERT, ANGESCHLOSSEN UND GETESTET WERDEN NACH DER ALLGEMEINEN NAZIONALEN REGLEMENTATION UBER DIE ELEKTRISCHE INSTALLATIONEN (BELGIEN: A.R.E.I., DEUTSCHLAND: DIN VDE 0100 TEIL 559 A2, ...; DIESE AUFSTELLUNG GESCHICHT DURCH EXEMPLATIVEN TITEL UND KANN NICHT ALS LIMITATIV ODER EXHAUTIV BETRACHTET WERDEN).
3. DIESE TECHNISCHE GEBRAUCHSANWEISUNG GEHORT ZU DEN ALLGEMEINEN VERKAUFSEBINGUNGEN VON TAL N.V.
4. DER ELEKTRO-INSTALLATEUR IST VERANTWORTLICH FUR DAS VERWENDEN VON CE UND EMC GEPRUFTE VORSCHALTGERATE.
5. DIE LAMPE(-N) SOLL(-EN) IMMER SERH VORSICHTIG ERSATZT WERDEN.
6. VORSICHT: MAN DARF NIE DIE LAMPE MIT DEN NACKTEN HANDEN BERUHREN, MAN SOL IMMER EINEN TUCH BENUTZEN!



name FUNNEL SFEROS NON TRIMLESS HALOLED

134103	FUNNEL SFEROS TORSION HALOLED 24° 2700K	BRUSHED GOLD ANO
134104	FUNNEL SFEROS TORSION HALOLED 24° 2700K	BRUSHED TITANIUM ANO
134105	FUNNEL SFEROS TORSION HALOLED 24° 2700K	BRUSHED BRONZE ANO
134106	FUNNEL SFEROS TORSION HALOLED 24° 2700K	TEXTURED BLACK
134107	FUNNEL SFEROS TORSION HALOLED 24° 2700K	TEXTURED WHITE
134113	FUNNEL SFEROS TORSION HALOLED 24° 3000K	BRUSHED GOLD ANO
134114	FUNNEL SFEROS TORSION HALOLED 24° 3000K	BRUSHED TITANIUM ANO
134115	FUNNEL SFEROS TORSION HALOLED 24° 3000K	BRUSHED BRONZE ANO
134116	FUNNEL SFEROS TORSION HALOLED 24° 3000K	TEXTURED BLACK
134117	FUNNEL SFEROS TORSION HALOLED 24° 3000K	TEXTURED WHITE
134123	FUNNEL SFEROS TORSION HALOLED 36° 2700K	BRUSHED GOLD ANO
134124	FUNNEL SFEROS TORSION HALOLED 36° 2700K	BRUSHED TITANIUM ANO
134125	FUNNEL SFEROS TORSION HALOLED 36° 2700K	BRUSHED BRONZE ANO
134126	FUNNEL SFEROS TORSION HALOLED 36° 2700K	TEXTURED BLACK
134127	FUNNEL SFEROS TORSION HALOLED 36° 2700K	TEXTURED WHITE
134133	FUNNEL SFEROS TORSION HALOLED 36° 3000K	BRUSHED GOLD ANO
134134	FUNNEL SFEROS TORSION HALOLED 36° 3000K	BRUSHED TITANIUM ANO
134135	FUNNEL SFEROS TORSION HALOLED 36° 3000K	BRUSHED BRONZE ANO
134136	FUNNEL SFEROS TORSION HALOLED 36° 3000K	TEXTURED BLACK
134137	FUNNEL SFEROS TORSION HALOLED 36° 3000K	TEXTURED WHITE
134143	FUNNEL SFEROS TORSION HALOLED 60° 2700K	BRUSHED GOLD ANO
134144	FUNNEL SFEROS TORSION HALOLED 60° 2700K	BRUSHED TITANIUM ANO
134145	FUNNEL SFEROS TORSION HALOLED 60° 2700K	BRUSHED BRONZE ANO
134146	FUNNEL SFEROS TORSION HALOLED 60° 2700K	TEXTURED BLACK
134147	FUNNEL SFEROS TORSION HALOLED 60° 2700K	TEXTURED WHITE
134153	FUNNEL SFEROS TORSION HALOLED 60° 3000K	BRUSHED GOLD ANO
134154	FUNNEL SFEROS TORSION HALOLED 60° 3000K	BRUSHED TITANIUM ANO
134155	FUNNEL SFEROS TORSION HALOLED 60° 3000K	BRUSHED BRONZE ANO
134156	FUNNEL SFEROS TORSION HALOLED 60° 3000K	TEXTURED BLACK
134157	FUNNEL SFEROS TORSION HALOLED 60° 3000K	TEXTURED WHITE

134203	FUNNEL SFEROS LEAF HALOLED 24° 2700K	BRUSHED GOLD ANO
134204	FUNNEL SFEROS LEAF HALOLED 24° 2700K	BRUSHED TITANIUM ANO
134205	FUNNEL SFEROS LEAF HALOLED 24° 2700K	BRUSHED BRONZE ANO
134206	FUNNEL SFEROS LEAF HALOLED 24° 2700K	TEXTURED BLACK
134207	FUNNEL SFEROS LEAF HALOLED 24° 2700K	TEXTURED WHITE
134213	FUNNEL SFEROS LEAF HALOLED 24° 3000K	BRUSHED GOLD ANO
134214	FUNNEL SFEROS LEAF HALOLED 24° 3000K	BRUSHED TITANIUM ANO
134215	FUNNEL SFEROS LEAF HALOLED 24° 3000K	BRUSHED BRONZE ANO
134216	FUNNEL SFEROS LEAF HALOLED 24° 3000K	TEXTURED BLACK
134217	FUNNEL SFEROS LEAF HALOLED 24° 3000K	TEXTURED WHITE
134223	FUNNEL SFEROS LEAF HALOLED 36° 2700K	BRUSHED GOLD ANO
134224	FUNNEL SFEROS LEAF HALOLED 36° 2700K	BRUSHED TITANIUM ANO
134225	FUNNEL SFEROS LEAF HALOLED 36° 2700K	BRUSHED BRONZE ANO
134226	FUNNEL SFEROS LEAF HALOLED 36° 2700K	TEXTURED BLACK
134227	FUNNEL SFEROS LEAF HALOLED 36° 2700K	TEXTURED WHITE
134233	FUNNEL SFEROS LEAF HALOLED 36° 3000K	BRUSHED GOLD ANO
134234	FUNNEL SFEROS LEAF HALOLED 36° 3000K	BRUSHED TITANIUM ANO
134235	FUNNEL SFEROS LEAF HALOLED 36° 3000K	BRUSHED BRONZE ANO
134236	FUNNEL SFEROS LEAF HALOLED 36° 3000K	TEXTURED BLACK
134237	FUNNEL SFEROS LEAF HALOLED 36° 3000K	TEXTURED WHITE
134243	FUNNEL SFEROS LEAF HALOLED 60° 2700K	BRUSHED GOLD ANO
134244	FUNNEL SFEROS LEAF HALOLED 60° 2700K	BRUSHED TITANIUM ANO
134245	FUNNEL SFEROS LEAF HALOLED 60° 2700K	BRUSHED BRONZE ANO
134246	FUNNEL SFEROS LEAF HALOLED 60° 2700K	TEXTURED BLACK
134247	FUNNEL SFEROS LEAF HALOLED 60° 2700K	TEXTURED WHITE
134253	FUNNEL SFEROS LEAF HALOLED 60° 3000K	BRUSHED GOLD ANO
134254	FUNNEL SFEROS LEAF HALOLED 60° 3000K	BRUSHED TITANIUM ANO
134255	FUNNEL SFEROS LEAF HALOLED 60° 3000K	BRUSHED BRONZE ANO
134256	FUNNEL SFEROS LEAF HALOLED 60° 3000K	TEXTURED BLACK
134257	FUNNEL SFEROS LEAF HALOLED 60° 3000K	TEXTURED WHITE